

Specifications

Port Sizes	1/4", 3/8", 1/2"
Thread Styles	NPT, BSPT, BSPP
Flow Capacity	60 SCFM @ 100 PSI
Filter Capacity	1.0 micron & larger, Activated Carbon Oil Adsorption to 0.003 PPM Hydrocarbons < 3.0 PSID at rated flow
Differential Pressure	
Max. Temp./Pressure (Aluminum Bowl)	175 °F/200 PSIG
Max. Temp./Pressure (Polycarbonate Bowl)	125 °F/150 PSIG
Approx. Weight (lb.)	3.5
ISO Class	2 Particulate/Oil

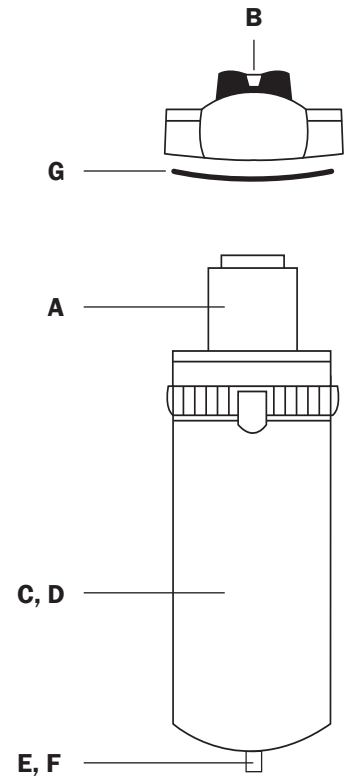
For higher pressure applications, consult factory. Units equipped with differential pressure indicator have max. temperature and pressure of 125 °F and 150 PSIG, regardless of bowl material.



Water
Dirt
Oil
Oil Vapor
Odor

Replacement Parts & Accessories

Description	Part Number
A Replacement Element	4P-060
B Differential Pressure Indicator	N32-W1-DPi
B Blanking Cap (Cover for units without indicator)	N32-95-020
C Bowl Assembly: Metal Bowl, Manual Petcock Drain, O-ring	N34-95-205
C Bowl Assembly: Metal Bowl, Automatic Float Drain, O-ring	N34-95-201
D Bowl Assembly: Poly Bowl, Manual Petcock Drain, O-ring*	N32-15-163
D Bowl Assembly: Poly Bowl, Automatic Float Drain, O-ring*	N32-15-165
E Manual Petcock Drain (Metal Bowl)	PC-02
E Manual Petcock Drain (Poly Bowl)	N32-95-182
F Automatic Float Drain (Metal Bowl)	N32-95-979
F Automatic Float Drain (Poly Bowl)	N32-95-973
G Bowl O-ring	N32-95-257
Mounting Bracket (Optional)	BK-1



Order Guide

Drain Type	Port Size	Model Number		Dimensions (in.)			
		Metal Bowl	Poly Bowl	Height**		Width	Depth
				Metal	Poly		
Manual	1/4"	4P-060-M02-P	4P-060-P02-P	10.0	10.0	3.9	3.9
	3/8"	4P-060-M03-P	4P-060-P03-P	10.0	10.0	3.9	3.9
	1/2"	4P-060-M04-P	4P-060-P04-P	10.0	10.0	3.9	3.9
Automatic	1/4"	4P-060-M02-F	4P-060-P02-F	10.0	10.5	3.9	3.9
	3/8"	4P-060-M03-F	4P-060-P03-F	10.0	10.5	3.9	3.9
	1/2"	4P-060-M04-F	4P-060-P04-F	10.0	10.5	3.9	3.9

*Poly bowls come with metal bowl guard

**To add an indicator, add "i" to end of model number (Indicator adds about 1" to height)